

DEREVE SERIES DF60

SAFETY RELIEF VALVE ATMOSPHERIC DISCHARGE COMPLETE WITH EASING GEAR

The DF60 or 6000 series safety relief valve with atmospheric discharge and easing ring is used on compressed air systems. It is available in 1/4" BSP Taper and comes fitted with a Silicone rubber seat as standard.

Features & Benefits

- High performance
- Soft valve washer for 'bubble tight' seal
- Pressure range 0.5 barg to 27.6 barg **subject to availability**
- 1/4" BSP male taper inlet x atmospheric discharge
- Also available as 3/8" BSPT and 1/4" NPT inlet
- Valve washers to suit air & inert gases
- Brass construction with stainless steel springs
- Valves can be supplied de-greased for oxygen service



Specification

The series DF60 is a High Lift Safety Relief Valve with atmospheric discharge suitable for air and inert gas applications

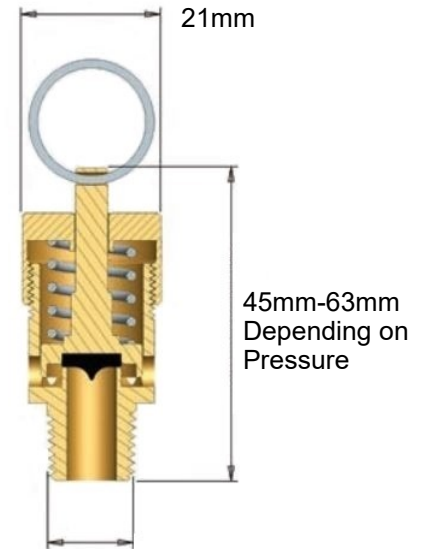
The flow is de-rated and measured in accordance with BS EN ISO 4126

The valve re-seats within minus 10% of set pressure

Maximum Set Pressure: 27.6 Bar (Please check availability for higher pressures)

Maximum Temperature: 180°C

ALL SAFETY VALVES ARE PED APPROVED AND CE MARKED



1/4" BSPT, 3/8" BSPT or 1/4" NPT

Capacities

AIR @ 15°C in Std. Litres/sec @ 10% overpressure

Size	BarG	0.5	2.0	5.0	8.0	9.0	11.0	13.0	15.0	17.0	21.0	25.0	27.6
1/4"	L/sec	5	15	36	58	67	84	96	110	124	152	180	198

* Notional these figures are for guidance only and may vary depending upon system conditions

Whilst every effort has been made to ensure that the information contained in this publication is accurate at the time of publishing, Bonut Engineering Ltd assumes no responsibility or liability for typographical errors or omissions or for any misinterpretation of the information within the publication and reserves the right to change without notice.



BE® Bonut Engineering Ltd

Unit 12 Latham Close, Bredbury Industrial Park
Stockport, Cheshire, SK6 2SD, United Kingdom
Tel: +44 (0) 161 430 4000 Fax: +44 (0) 161 494 1461
Email: sales@bonut.co.uk Website: www.bonut.co.uk

Rev 1.9

DEREVE®
brownall®
RHODES®