

DEREVE SERIES DF63

SAFETY RELIEF VALVE SIDE OUTLET DISCHARGE COMPLETE WITH EASING GEAR

The DF63 or 6300 series safety relief valve with side outlet discharge and ring pull easing gear is used on compressed air systems and pressure vessels. They is available from 1/4" BSP Taper to 1" BSP Taper and comes fitted with a Silicone rubber seat as standard.

Features & Benefits

- High performance
- Soft valve washer for 'bubble tight' seal
- Pressure range 0.5 barg to 27.6 barg *please check availability*
- Side outlet discharge
- Inlet connections BSP taper - outlets parallel
- 1/4" x 1/2", 3/8" x 1/2", 1/2" x 1/2", 1/2" x 3/4", 3/4" x 3/4", 3/4" x 1" or 1" x 1"
- Valve washers to suit air & inert gases
- Brass construction with stainless steel springs
- Valves can be supplied de-greased for oxygen service



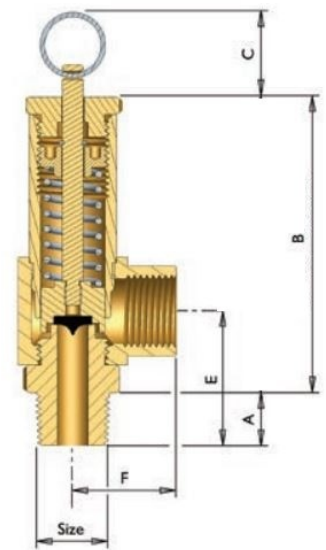
Specification

The series DF63 is a High Lift Safety Relief Valve with side outlet discharge suitable for air and inert gas applications. The flow is de-rated and measured in accordance with BS EN ISO 4126. The valve re-seats within minus 10% of set pressure.

- Maximum Set Pressure: 27.6 bar
- Maximum Temperature: 180°C

ALL SAFETY VALVES ARE PED APPROVED AND CE MARKED

Valve size	1/2" (DN15)	3/4" (DN20)	1" (DN25)
A	15	18	20
B	88	92	99
C	33	33	33
E	40	46	56
F	30.5	36	36



Dimensions in mms

Capacities

AIR @ 15°C in Std. Litres/sec @ 10% overpressure

Inlet Size	BarG	0.5	2.0	5.0	8.0	9.0	11.0	13.0	15.0	17.0	21.0	25.0	27.6
1/2"	L/sec	10	20	40	60	67	81	94	108	121	148	175	193
3/4"	L/sec	14	29	60	90	100	120	140	161	181	221	261	288
1"	L/sec	23	48	97	146	162	195	227	260	293	358	424	466

* Notional these figures are for guidance only and may vary depending upon system conditions

Whilst every effort has been made to ensure that the information contained in this publication is accurate at the time of publishing, Bonut Engineering Ltd assumes no responsibility or liability for typographical errors or omissions or for any misinterpretation of the information within the publication and reserves the right to change without notice.



BE® Bonut Engineering Ltd

Unit 12 Latham Close, Bredbury Industrial Park
Stockport, Cheshire, SK6 2SD, United Kingdom
Tel: +44 (0) 161 430 4000 Fax: +44 (0) 161 494 1461
Email: sales@bonut.co.uk Website: www.bonut.co.uk

**DEREVE®
brownall®
RHODES®**