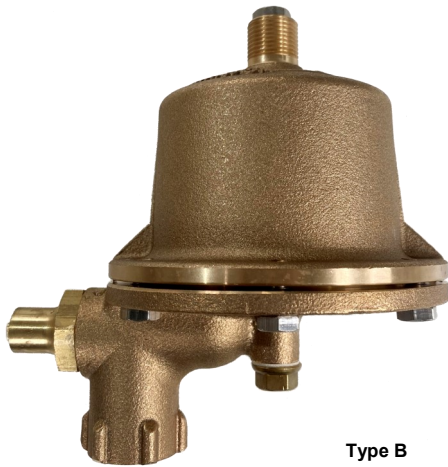
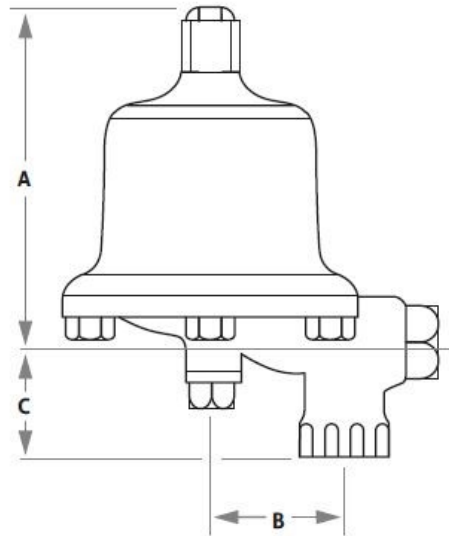


With a proven track record for high quality, Brownall offers an exclusive range of Automatic Air Eliminators (AAE) covering low, medium and high pressure applications.

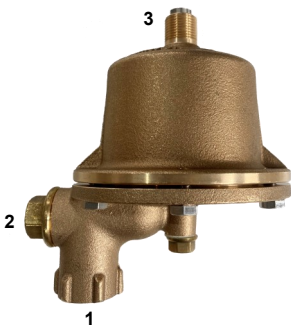


Type B

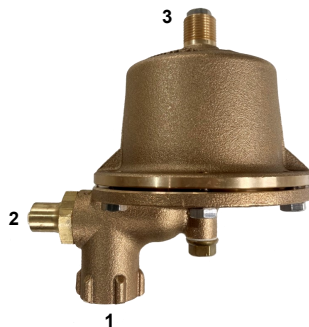


Type	A	B	C	Weigh (kg)	Description
A	102	43	35	1.25	Vertical Inlet (1) with blanking plug (2). Standard seat (3)
B	102	43	35	1.28	Vertical Inlet (1) with Integral Lockshield Isolating Valve (2). Standard seat (3)
C	108	43	35	1.28	Vertical Inlet (1) with Integral Lockshield Isolating Valve (2) & Check Valve seat (3)
D	102	43	66	1.25	Side Inlet (1) with blanking plug (2). Standard seat (3)

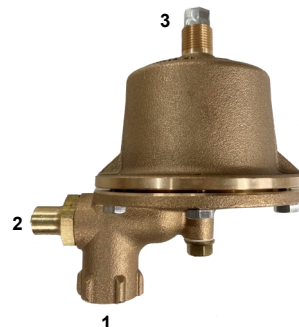
Type A



Type B



Type C



Type D



Technical Data

Pressure Rating: Up to 10 Bar (150 lbf/in²)
 Non-Shock
 Temp Rating: Up to 93°C(200°F)
 Connections: Inlet—BS EN 10226-1:2004—Rp 1/2 (Female)
 Outlet—BS EN ISO 228:1:2003—G 3/8 (Male)
 Min. Working Pressure: 0.15 Bar (5ft effective head)

Materials

Body & Dome: Bronze (Gunmetal)
 Spindle & Seating: Stainless Steel
 Valve: PTFE needle
 Float: Stainless Steel



Type B

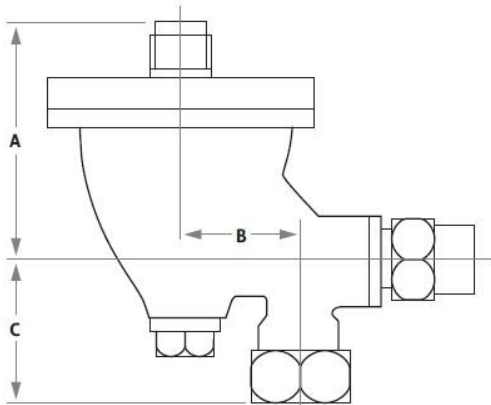


BE® Bonut Engineering Ltd

Unit 12 Latham Close, Bredbury Industrial Park
 Stockport, Cheshire, SK6 2SD, United Kingdom
 Tel: +44 (0) 161 430 4000 Fax: +44 (0) 161 494 1461
 Email: sales@bonut.co.uk Website: www.bonut.co.uk

DEREVE®
brownall®
RHODES®

Medium Pressure Hot Water Applications—MPHW



Type	A	B	C	Weigh (kg)
MPHW	108	43	41	2.4

Technical Data

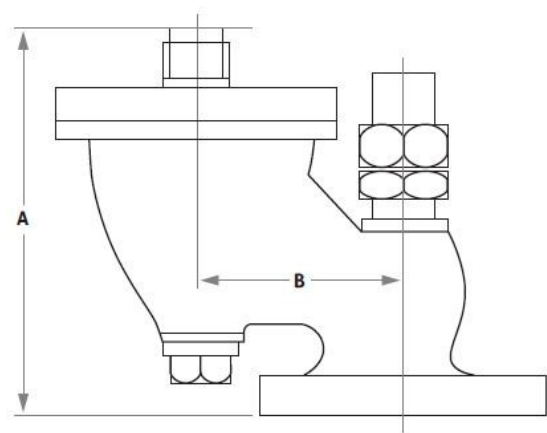
Pressure Rating: Up to 7 Bar (100 lbf/in²) Non-Shock
 Temp Rating: Up to 149°C(300°F)
 Connections: Screwed 1/2" BSP Female inlet
 3/8" BSP Male Outlet

Min. Working Pressure: 0.15 Bar (5ft effective head)

Materials

Body & Dome: Bronze (Gunmetal)
 Spindle & Seating: Stainless Steel
 Valve: Monel
 Float: Nickel Alloy

High Pressure Hot Water Applications—HPHW



Technical Data

Pressure Rating: Up to 17 Bar (250 lbf/in²) H
 Up to 10.5 Bar (150 lbf/in²) F Non-Shock
 Temp Rating: Up to 204°C(400°F) H
 Up to 182°C(360°F) F
 Connections: Flanged 1/2" BST F + H, PN16

Min. Working Pressure: 0.15 Bar (5ft effective head)

Materials

Body & Dome: Bronze (Gunmetal)
 Spindle & Seating: Stainless Steel
 Valve: Monel
 Float: Nickel Alloy

Service Kits

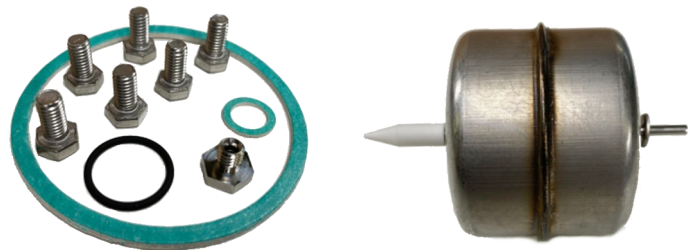
Types B and C Automatic Air Eliminators are manufactured with in-built isolating valves which, when closed, allow the dome to be removed and the float assembly replaced, allowing rapid in-situ servicing.

Type A and D require an additional isolating valve on the inlet, to isolate it from the system prior to removing the float assembly.

AE-SP-ABD or **AE-SP-C** spare kits available for Types A,B,C + D. **AE-SP-MPHW** service kit is available for types MPHW and HPHW air eliminators. Service kits comprise of a float assembly (inc. needle and spindle) seat, washers, and retaining screws.



Certificate Number 9027
 ISO 9001
 ISO 14001



Every effort has been made to ensure that the information contained in this publication is accurate at the time of publishing. Bonut Engineering assumes no responsibility or liability for typographical errors or omissions or for any misinterpretation of the information within the publication and reserves the right to change without notice.



BE® Bonut Engineering Ltd

Unit 12 Latham Close, Bredbury Industrial Park
 Stockport, Cheshire, SK6 2SD, United Kingdom
 Tel: +44 (0) 161 430 4000 Fax: +44 (0) 161 494 1461
 Email: sales@bonut.co.uk Website: www.bonut.co.uk

Rev 1.2

DEREVE®
brownall®
RHODES®