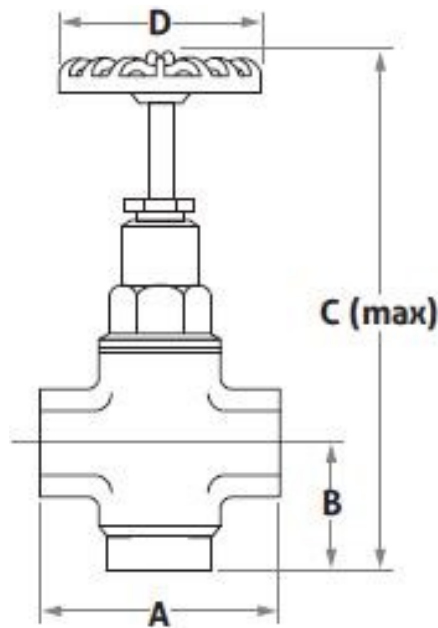


The Figure 1688 Three-way Univent is designed for use on vented hot water systems to ensure that there is always a direct connection from the boiler/calorifier to the atmosphere. Made from body materials resistant to stress corrosion cracking, it can be used for single or multi-boiler installations.

In-line servicing, using **Univent replacement cartridges**, allows valve maintenance to be carried out without disturbing the pipework.

The Univent can be opened and closed using the integral hand wheel. To close the drain port and open the vent, turn the handwheel clockwise to its full travel. Turn the handwheel anti-clockwise to open the drain and close the vent.



Nominal Size	Product Code	A	B	C (Max)	D	Weight Kg
25mm (1")	UV-1688-025D	96	47	200	89	1.83
32mm (1-1/4")	UV-1688-032D	118	63	237	102	2.93
40mm (1-1/2")	UV-1688-040D	144	74	269	127	4.39
50mm (2")	UV-1688-050D	160	79	283	152	6.10
65mm (2-1/2")	UV-1688-065D	190	115	395	200	14.25

Technical Data

Max pressure: 7 Bar
 Max temperature: 93°C
 Connections: BS EN 10226-1:2004 – Rp (Female)

Materials

Body: Bronze (Gunmetal)
 Head: Bronze (Gunmetal)
 Trim: Brass
 Spindle: Brass
 Renewable Valve Head: EPDM/Brass

Principle of operation

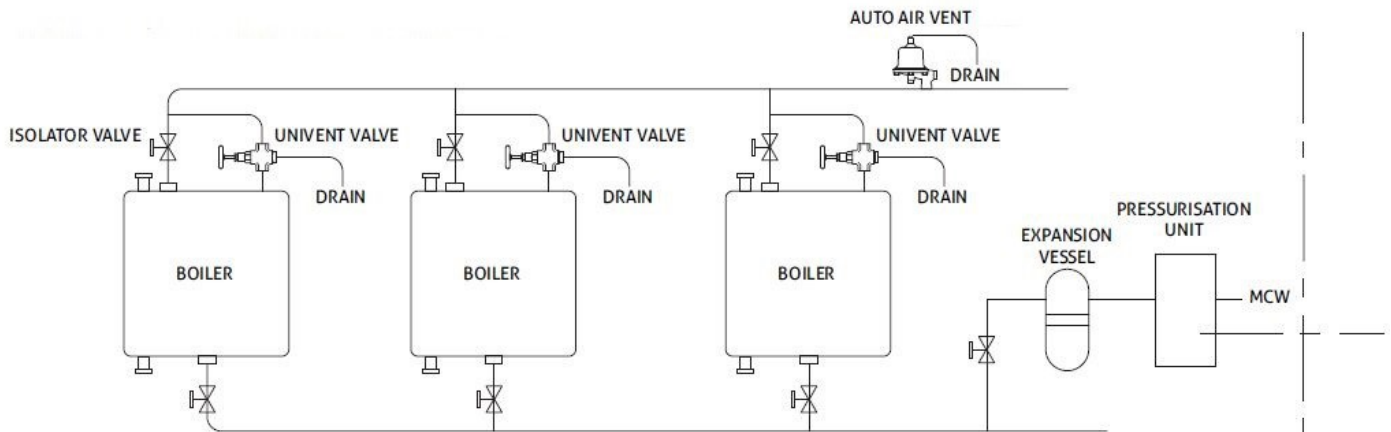
A soft seated valve (EPDM) with easy to change cartridge unit containing all moving parts



Typical Multi-Boiler System

The use of screw-down valves for multi-boiler hot water installations can allow the use of a single vent pipe to serve any number of boilers. No boiler in the system can be left in an unvented condition irrespective of the selected settings of the valves.

At all times the vent valve ensures a full bore exit from the boiler to atmosphere. In operation, clockwise turning of the handwheel closes the drain and opens the vent. Anti-clockwise rotation of the handwheel opens the drain and closes the vent.



Please note Three-way Univents and Three-way Vent Cocks are interchangeable.

Note: The diagram shown is schematic and is not intended as a guide to the installation of the vent valves. It is essential that vent valves are fitted in accordance with the manufacturer's recommendations and comply with Health and Safety regulations etc.

Univent Replacement Cartridge Fig.1688 only

Replacement cartridges for the Three-way Univent valve allow rapid in-situ servicing.



Nominal Size	Product Code
25mm (1")	UV-SP-1688-025D
32mm (1-1/4")	UV-SP-1688-032D
40mm (1-1/2")	UV-SP-1688-040D
50mm (2")	UV-SP-1688-050D
65mm (2-1/2")	UV-SP-1688-065D



Certificate Number 9027
ISO 9001:2015



BE® Bonut Engineering Ltd

Unit 12 Latham Close, Bredbury Industrial Park
Stockport, Cheshire, SK6 2SD, United Kingdom
Tel: +44 (0) 161 430 4000 Fax: +44 (0) 161 494 1461
Email: sales@bonut.co.uk Website: www.bonut.co.uk

**DEREVE®
brownall®
RHODES®**