

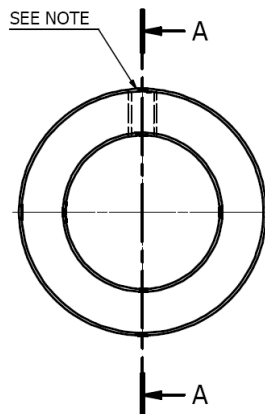
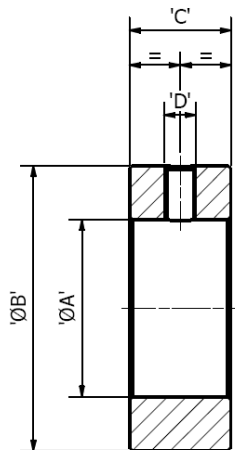
Manufacturers of Engineers Studs, Shaft Collars, Keys, Pins, Precision Turned Parts and Valves in Steel, Stainless, High Grade Alloy and Non-Ferrous Metals. Precision components produced to customer's specifications, drawings and bespoke requirements in most materials.

Shaft Collars

- Metric and Imperial to BS 4185 Part 1 1967
- Solid one piece, single, and double split configuration
- Manufactured from quality bar to BS 230M07 (EN1A), aluminium, and stainless steel
- Accurately bored
- Generously dimensioned on outside diameter & width
- Fitted with quality locking screws
- Outside diameter smoothly finished
- Produced in our own works in the UK
- Large stock of standard sizes
- 6mm to 100mm bore as standard, special sizes made to order
- Able to offer same-day despatch in most cases



Solid Collars



NOTE:
Locking screws are to DIN 916 45H with Cup Points as standard

Stainless steel collars have a stainless steel locking screw

Metric Dimensions

'A'	'B'	'C'	'D'
4	16	8	M3
5	16	8	M3
6	16	8	M3
7	16	8	M3
8	16	8	M4
9	20	10	M4
10	20	10	M6
12	25	12	M6
13	25	12	M6
14	28	12	M6
15	28	14	M6
16	28	14	M6
17	28	14	M6
18	28	14	M6
19	32	14	M6
20	32	14	M6
22	32	14	M6
25	40	16	M8
28	45	16	M8
30	45	16	M8
32	55	18	M8
35	55	18	M8
40	65	20	M10
45	70	20	M10
50	80	20	M10
55	80	20	M10
60	90	22	M10
65	100	22	M10
70	100	22	M10

Imperial Dimensions

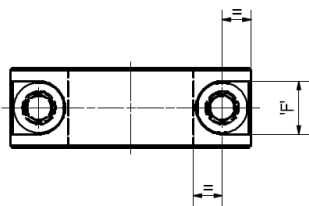
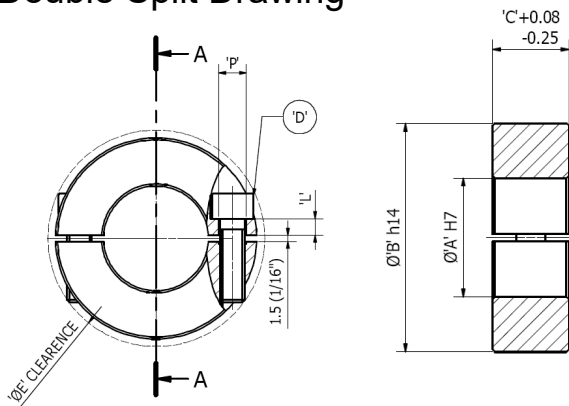
'A'	'B'	'C'	'D'
1/8"	3/8"	1/4"	M3
3/16"	1/2"	1/4"	M3
1/4"	1/2"	9/32"	M4
5/16"	5/8"	5/16"	M4
3/8"	3/4"	3/8"	M4
7/16"	1"	7/16"	1/4" UNC
1/2"	1"	7/16"	1/4" UNC
5/8"	1-1/4"	9/16"	1/4" UNC
11/16"	1-1/4"	9/16"	1/4" UNC
3/4"	1-3/8"	11/16"	5/16" UNC
7/8"	1-1/2"	11/16"	5/16" UNC
1"	1-5/8"	3/4"	5/16" UNC
1-1/8"	1-3/4"	3/4"	3/8" UNC
1-1/4"	2"	7/8"	3/8" UNC
1-3/8"	1-3/4"	7/8"	3/8" UNC
1-1/2"	2-1/4"	1"	3/8" UNC
1-5/8"	2-1/2"	1"	7/16" UNC
1-3/4"	2-5/8"	1"	7/16" UNC
2"	3"	1-1/16"	1/2" UNC
2-1/4"	3-1/4"	1-1/8"	1/2" UNC
2-1/2"	3-1/2"	1-3/16"	1/2" UNC
2-3/4"	3-3/4"	1-3/8"	5/8" UNC
3"	4-1/4"	1-3/8"	5/8" UNC



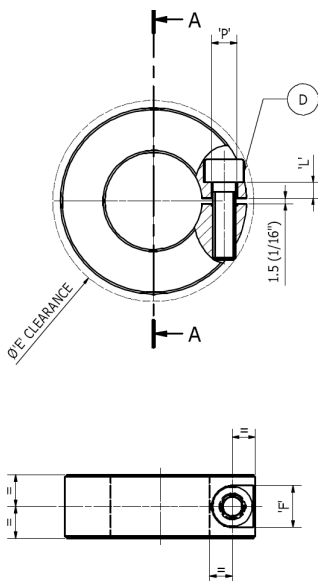
Manufacturers of Engineers Studs, Shaft Collars, Keys, Pins, Precision Turned Parts and Valves in Steel, Stainless, High Grade Alloy and Non-Ferrous Metals. Precision components produced to customer's specifications, drawings and bespoke requirements in most materials.

Split Shaft Collars

Double Split Drawing



Single Split Drawing



NOTE:

Cap screws are to DIN 912
Stainless steel collars have a stainless steel cap screw

Metric Dimensions

'A'	'B'	'C'	'D'	'E'	'F'
BORE	O/DIA	WIDTH	CAPSCREW	DIA	DIA
MM	MM	MM	MM	MM	MM
3.3	16	9	M3 x 10	20	6.0
5	20	9	M3 x 12	23	6.0
6	20	9	M3 x 10	23	6.0
8	22	9	M3 x 12	25	6.0
10	25	9	M3 x 12	27	6.0
12	28	11	M4 x 12	32	8.0
15	35	13	M5 x 16	40	10.0
17	38	13	M5 x 16	42	10.0
18	38	13	M5 x 16	42	10.0
20	42	15	M6 x 20	48	11.0
25	48	15	M6 x 20	53	11.0
30	55	15	M6 x 20	60	11.0
32	60	15	M6 x 25	64	11.0
36	60	15	M6 x 25	64	11.0
40	65	15	M6 x 25	68	11.0
45	75	19	M8 x 25	81	14.0
50	80	19	M8 x 25	85	14.0

Imperial Dimensions

'A'	'B'	'C'	'D'	'E'	'F'
BORE	O/DIA	WIDTH	CAPSCREW	DIA	DIA
INCH	INCH	INCH	MM	INCH	INCH
1/8"	5/8"	1/4"	M3 x 10	51/64"	15/64"
3/16"	11/16"	5/16"	M3 x 10	27/32"	15/64"
1/4"	11/16"	5/16"	M3 x 10	27/32"	15/64"
5/16"	3/4"	5/16"	M3 x 10	15/16"	15/64"
3/8"	7/8"	3/8"	M4 x 10	1-1/32"	5/16"
1/2"	1-1/8"	13/32"	M4 x 12	1-9/32"	5/16"
5/8"	1-5/16"	7/16"	M5 x 16	1-9/16"	25/64"
3/4"	1-1/2"	1/2"	M6 x 16	1-3/4"	7/16"
7/8"	1-5/8"	1/2"	M6 x 16	1-55/64"	7/16"
1"	1-3/4"	1/2"	M6 x 16	1-31/32"	7/16"
1-1/4"	2-1/8"	1/2"	M6 x 16	2-1/4"	7/16"
1-3/8"	2-5/16"	1/2"	M6 x 20	2-7/16"	7/16"
1-1/2"	2-3/8"	9/16"	M6 x 20	2-1/2"	7/16"
1-3/4"	2-3/4"	11/16"	M8 x 25	3-1/32"	35/64"
2"	3"	11/16"	M8 x 30	3-5/16"	35/64"
2-1/2"	3-3/4"	7/8"	M10 x 30	4-3/64"	43/64"
3"	4-1/4"	7/8"	M10 x 35	4-9/16"	43/64"

