

Fig.901 Sight Flow Indicator with Flow Fingers - Gunmetal

The Fig 901 general purpose indicator used by equipment manufacturers and process plant users, employs Rhodes' unique patented 'flow fingers' to provide flow indication.

FEATURES & BENEFITS

- The Fig.901 'flow fingers' (5) provide positive indication within clear and murky liquids. Manufactured from glass filled nylon they provide positive indication of flow, even under slow steady conditions.
- 'Flow fingers' (5) are positioned in the middle of the flow (assuming full bore flow) with the middle finger inverted. The design of the flow fingers ensures that they 'wiggle'

For product application please refer to pages 30 and 31.

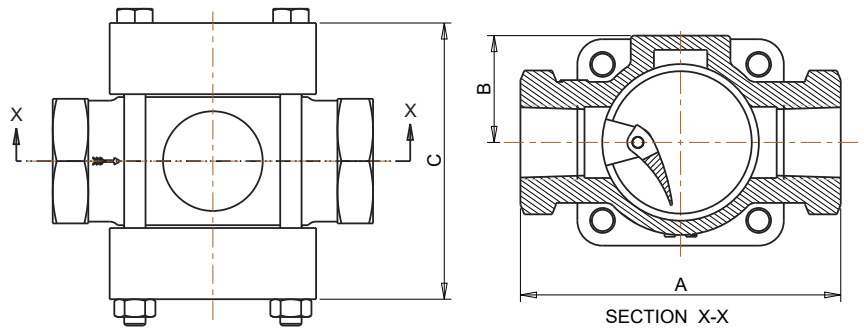


Fig.901 Gunmetal

A unique product manufactured and sold only by Rhodes.

TEMPERATURE RATINGS

Max Pressure 16 Barg	Temperature
	-9.5°C to 170°C



DIMENSIONS

Screwed (mm)	Length A (mm)	Max Height From Centre B (mm)	Max Width C (mm)	Weight (kg)
15	90	30	78	0.9
20	90	30	78	0.9
25	110	38	92	1.7
40	130	45	103	3.1
50	170	56	128	5.8

Every effort has been made to ensure that the information contained in this publication is accurate at the time of publishing. Rhodes assumes no responsibility or liability for typographical errors or omissions or for any misinterpretation of the information within the publication and reserves the right to change without notice.

MATERIALS OF CONSTRUCTION

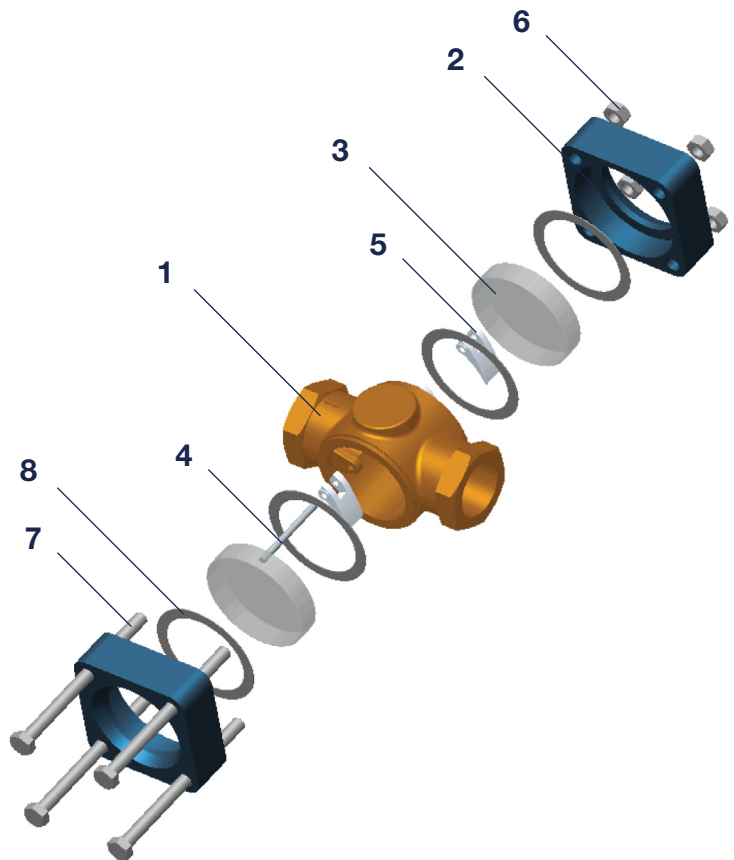
ITEM NO.	DESCRIPTION	BODY MATERIAL	MATERIAL	QTY
1	Body	Gunmetal	BS EN 1982 CB491K	1
2	Cover	Mild Steel	BS EN 10025 S355 J2G3	2
3	Glass Disc	Toughened Soda Lime	BS3463	2
		Toughened Borosilicate	DIN7080	
4	Spindle	Stainless Steel	SS316	1
5	Flow Fingers	PES / Glass Filled Nylon		3 to 4
6	Nut	Mild Steel Zinc Plated		4
7	Bolt	Mild Steel Zinc Plated		4
8	Gasket	Nickel Reinforced Graphite		4
		PTFE		4

END CONNECTIONS

SCREWED

- BSP Taper Female 'Rc' BS EN 10226
- BSP Parallel Female 'Rp' BS EN 10226
- BSP Parallel Female 'G' ISO 228
- NPT Female

N.B. Fig. 901 is not available with flanged connections.



APPROVALS



FM00311 ISO 9001



ISO 14001 Reg No. EMS 78657

Every effort has been made to ensure that the information contained in this publication is accurate at the time of publishing. Rhodes assumes no responsibility or liability for typographical errors or omissions or for any misinterpretation of the information within the publication and reserves the right to change without notice.