

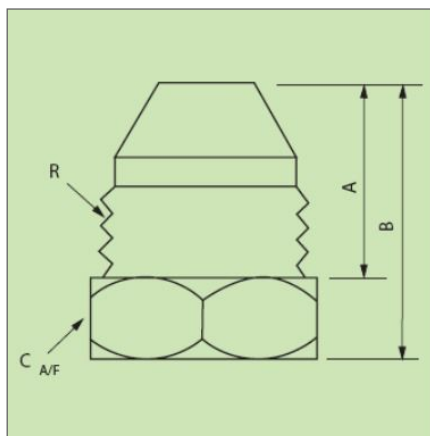
FUSIBLE PLUGS FOR STEAM

To BS1123: 2006

Fig 5



Body Material: Gunmetal
Maximum Pressure: 24 Bar



Size DN	R (BSPT)	A (mm)	B (mm)	C (mm)
15	1/2"	29	40	28
20	3/4"	30	47	33
25	1"	30	47	38
32	1-1/4"	45	59	47

Over size thread versions are available in most sizes.

Please contact our sales team for details.

APPLICATION

Fig 5 and Fig 8 Dereve fusible plugs are used to provide protection to internally fired steam boilers. If overheating occurs due to low water conditions, the plugs are designed to operate and thereby allow pressure to reduce, provide a visual and audible warning and help to preventing collapse of the boiler. They must not be used as the only or main safety device in any pressure system.

CONSTRUCTION

Both plugs are of gunmetal construction with a central portion held in position by a suitable low melting point alloy.

In the Fig 5 Fusible Plug the centre plug is moulded directly into the body, whereas on the Fig 8 it is contained in a separate, replaceable cone assembly (Fig 9). In both cases, when the alloy fuses, the plug is ejected by steam pressure.

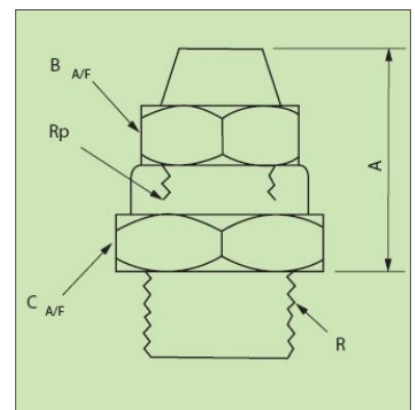
INSTALLATION

The Fig 5 plug is intended for loco boilers, where fitting is from the fire side. The Fig 8 is used on boilers where fitting can be achieved from the water side. Plugs should be checked in service every twelve months, and cleaned or replaced as necessary every two years. Installation instructions are provided.

Fig 8 + 9



Body Material: Gunmetal
Maximum Pressure: 24 Bar



Size DN	R (BSPT)	Rp (BSP)	A (mm)	B (mm)	C (mm)
20	3/4"	1/2"	35	28	38
25	1"	1/2"	35	28	38
32	1-1/4"	3/4"	35	30	48
40	1-1/2"	7/8"	45	35	52
50	2"	1-1/2"	60	44	68

Fusible plugs are to BS1123: 2006 and must not be used as the primary safety devices on any pressure equipment



Certificate Number 9027
ISO 9001:2015

BE™ Bonut Engineering Ltd
T/A DEREVE™ Valves

Unit 12, Latham Close, Bredbury Industrial Park
Stockport, Cheshire, SK6 2SD, United Kingdom
Tel: +44 (0) 161 430 4000 Fax: +44 (0) 161 494 1461
email: sales@bonut.co.uk website: www.bonut.co.uk

Rev 1.5

