

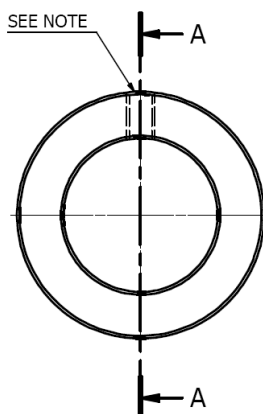
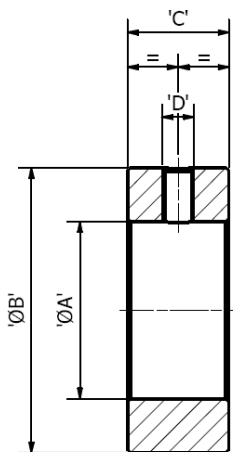
Manufacturers of Engineers Studs, Shaft Collars, Keys, Pins, Precision Turned Parts and Valves in Steel, Stainless, High Grade Alloy and Non-Ferrous Metals. Precision components produced to customer's specifications, drawings and bespoke requirements in most materials.

## Shaft Collars

- Metric and Imperial to BS 4185 Part 1 1967
- Solid one piece, single, and double split configuration
- Manufactured from quality bar to BS 230M07 (EN1A), aluminium, and stainless steel
- Accurately bored
- Generously dimensioned on outside diameter & width
- Fitted with quality locking screws
- Outside diameter smoothly finished
- Produced in our own works in the UK
- Large stock of standard sizes
- 6mm to 100mm bore as standard, special sizes made to order
- Able to offer same-day despatch in most cases



## Solid Collars



NOTE:  
Locking screws are to DIN 916 45H with Cup Points as standard

Stainless steel collars have a stainless steel locking screw

### Metric Dimensions

'A'	'B'	'C'	'D'
4	16	8	M3
5	16	8	M3
6	16	8	M3
7	16	8	M3
8	16	8	M4
9	20	10	M4
10	20	10	M6
12	25	12	M6
13	25	12	M6
14	28	12	M6
15	28	14	M6
16	28	14	M6
17	28	14	M6
18	28	14	M6
19	32	14	M6
20	32	14	M6
22	32	14	M6
25	40	16	M8
28	45	16	M8
30	45	16	M8
32	55	18	M8
35	55	18	M8
40	65	20	M10
45	70	20	M10
50	80	20	M10
55	80	20	M10
60	90	22	M10
65	100	22	M10
70	100	22	M10

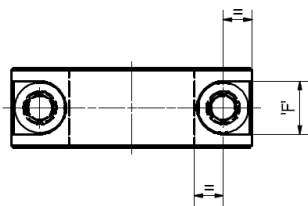
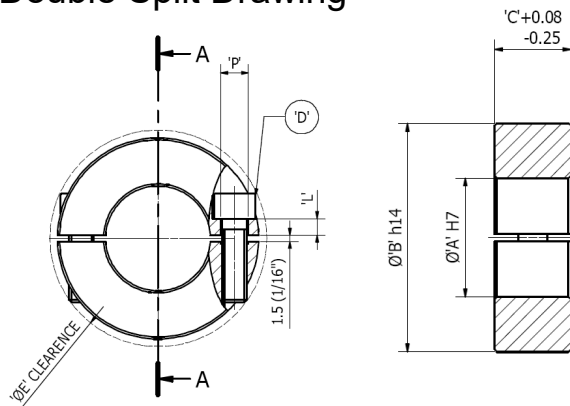
### Imperial Dimensions

'A'	'B'	'C'	'D'
1/8"	3/8"	1/4"	M3
3/16"	1/2"	1/4"	M3
1/4"	1/2"	9/32"	M4
5/16"	5/8"	5/16"	M4
3/8"	3/4"	3/8"	M4
7/16"	1"	7/16"	1/4" UNC
1/2"	1"	7/16"	1/4" UNC
5/8"	1-1/4"	9/16"	1/4" UNC
11/16"	1-1/4"	9/16"	1/4" UNC
3/4"	1-3/8"	11/16"	5/16" UNC
7/8"	1-1/2"	11/16"	5/16" UNC
1"	1-5/8"	3/4"	5/16" UNC
1-1/8"	1-3/4"	3/4"	3/8" UNC
1-1/4"	2"	7/8"	3/8" UNC
1-3/8"	1-3/4"	7/8"	3/8" UNC
1-1/2"	2-1/4"	1"	3/8" UNC
1-5/8"	2-1/2"	1"	7/16" UNC
1-3/4"	2-5/8"	1"	7/16" UNC
2"	3"	1-1/16"	1/2" UNC
2-1/4"	3-1/4"	1-1/8"	1/2" UNC
2-1/2"	3-1/2"	1-3/16"	1/2" UNC
2-3/4"	3-3/4"	1-3/8"	5/8" UNC
3"	4-1/4"	1-3/8"	5/8" UNC

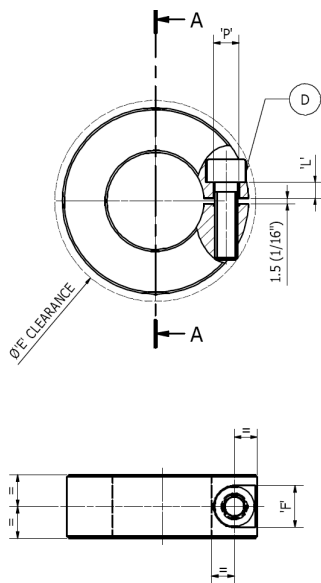
Manufacturers of Engineers Studs, Shaft Collars, Keys, Pins, Precision Turned Parts and Valves in Steel, Stainless, High Grade Alloy and Non-Ferrous Metals. Precision components produced to customer's specifications, drawings and bespoke requirements in most materials.

## Split Shaft Collars

Double Split Drawing



Single Split Drawing



NOTE:

Cap screws are to DIN 912  
Stainless steel collars have a stainless steel cap screw

Metric Dimensions

'A'	'B'	'C'	'D'	'E'	'F'
BORE	O/DIA	WIDTH	CAPSCREW	DIA	DIA
MM	MM	MM	MM	MM	MM
3.3	16	9	M3 x 10	20	6.0
5	20	9	M3 x 12	23	6.0
6	20	9	M3 x 10	23	6.0
8	22	9	M3 x 12	25	6.0
10	25	9	M3 x 12	27	6.0
12	28	11	M4 x 12	32	8.0
15	35	13	M5 x 16	40	10.0
17	38	13	M5 x 16	42	10.0
18	38	13	M5 x 16	42	10.0
20	42	15	M6 x 20	48	11.0
25	48	15	M6 x 20	53	11.0
30	55	15	M6 x 20	60	11.0
32	60	15	M6 x 25	64	11.0
36	60	15	M6 x 25	64	11.0
40	65	15	M6 x 25	68	11.0
45	75	19	M8 x 25	81	14.0
50	80	19	M8 x 25	85	14.0

Imperial Dimensions

'A'	'B'	'C'	'D'	'E'	'F'
BORE	O/DIA	WIDTH	CAPSCREW	DIA	DIA
INCH	INCH	INCH	MM	INCH	INCH
1/8"	5/8"	1/4"	M3 x 10	51/64"	15/64"
3/16"	11/16"	5/16"	M3 x 10	27/32"	15/64"
1/4"	11/16"	5/16"	M3 x 10	27/32"	15/64"
5/16"	3/4"	5/16"	M3 x 10	15/16"	15/64"
3/8"	7/8"	3/8"	M4 x 10	1-1/32"	5/16"
1/2"	1-1/8"	13/32"	M4 x 12	1-9/32"	5/16"
5/8"	1-5/16"	7/16"	M5 x 16	1-9/16"	25/64"
3/4"	1-1/2"	1/2"	M6 x 16	1-3/4"	7/16"
7/8"	1-5/8"	1/2"	M6 x 16	1-55/64"	7/16"
1"	1-3/4"	1/2"	M6 x 16	1-31/32"	7/16"
1-1/4"	2-1/8"	1/2"	M6 x 16	2-1/4"	7/16"
1-3/8"	2-5/16"	1/2"	M6 x 20	2-7/16"	7/16"
1-1/2"	2-3/8"	9/16"	M6 x 20	2-1/2"	7/16"
1-3/4"	2-3/4"	11/16"	M8 x 25	3-1/32"	35/64"
2"	3"	11/16"	M8 x 30	3-5/16"	35/64"
2-1/2"	3-3/4"	7/8"	M10 x 30	4-3/64"	43/64"
3"	4-1/4"	7/8"	M10 x 35	4-9/16"	43/64"